

PFA121

Water-proof Junction Box



Features

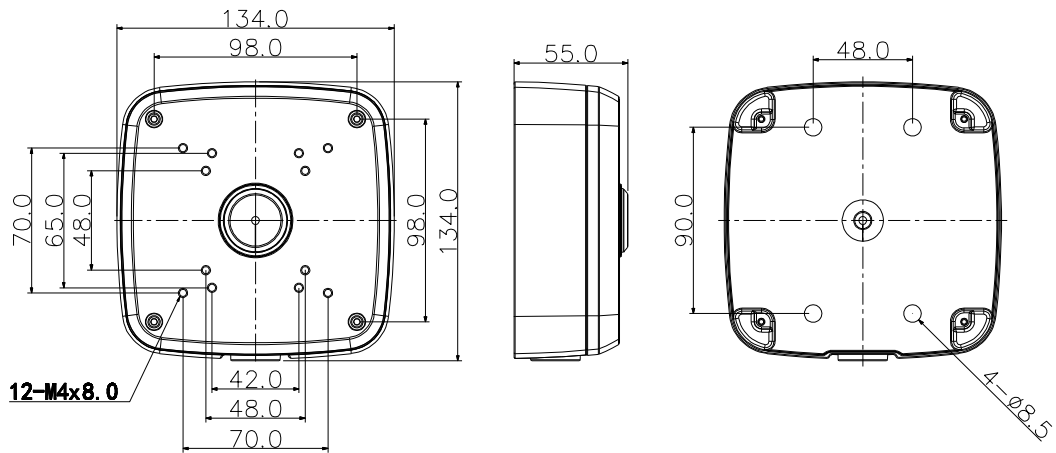
- Material: Aluminum
- IP66 Junction Box
- Neat & Integrated design

Specifications

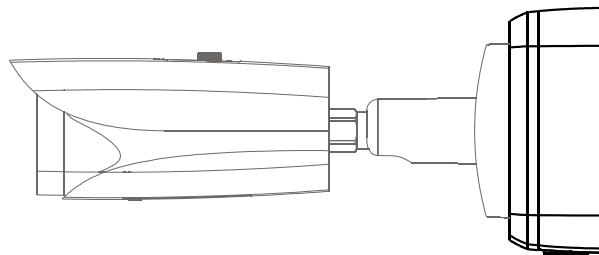
| | |
|-----------------------|----------------------------------|
| Model | PFA121 |
| General | |
| Material | Aluminum |
| Dimension (W x D x H) | 134mm x 134mm x 55mm |
| Pipe Thread | M20(G1/2") |
| Operating Temperature | -40°C ~60°C |
| Humidity | 0~90% RH |
| Load Bearing | 3.0Kg |
| Weight | 0.55Kg |
| Applicable Model | Please see "Accessory Selection" |

PFA121

Dimensions (mm)



Application



Dahua Technology Co., Ltd.

1199 BinAn Road, Binjiang District, Hangzhou, China

Tel: +86-571-87688883

Fax: +86-571-87688815

Email: overseas@dahuatech.com

www.dahuasecurity.com

*Design and specifications are subject to change without notice.

© 2014 Dahua Technology Co., Ltd.